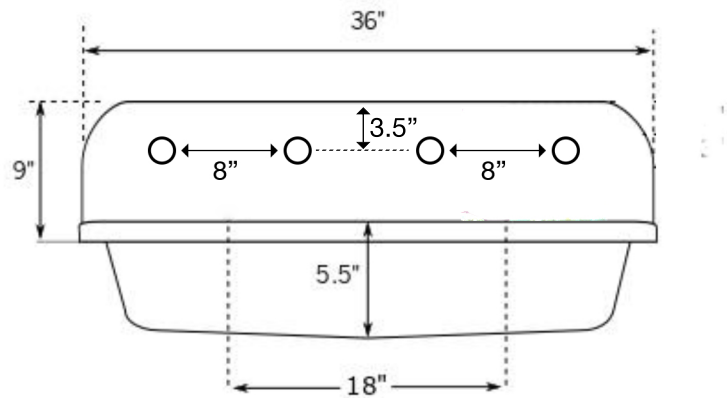
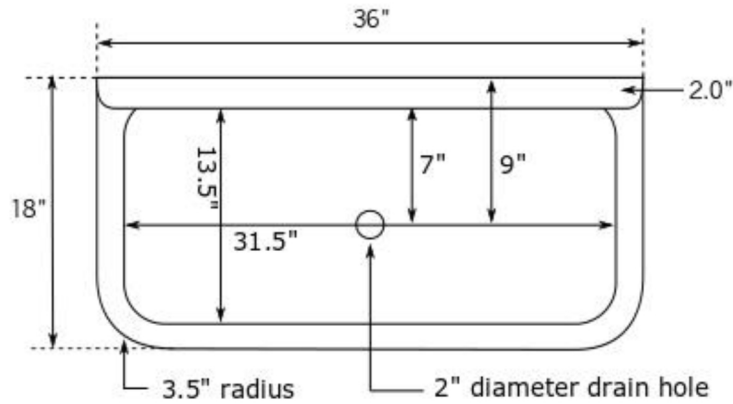




Single Basin Bath / Utility Sink SB3618



SPECIFICATIONS

Installation type: Wall-mount / top-mount

Faucet hole spacing: 8" apart

Faucet hole diameter: 1 3/8"

Drain hole diameter: 2 1/8"

www.nbidbs.com

All designs and specifications are subject to change without notification. All measurements are $\pm 1/4"$